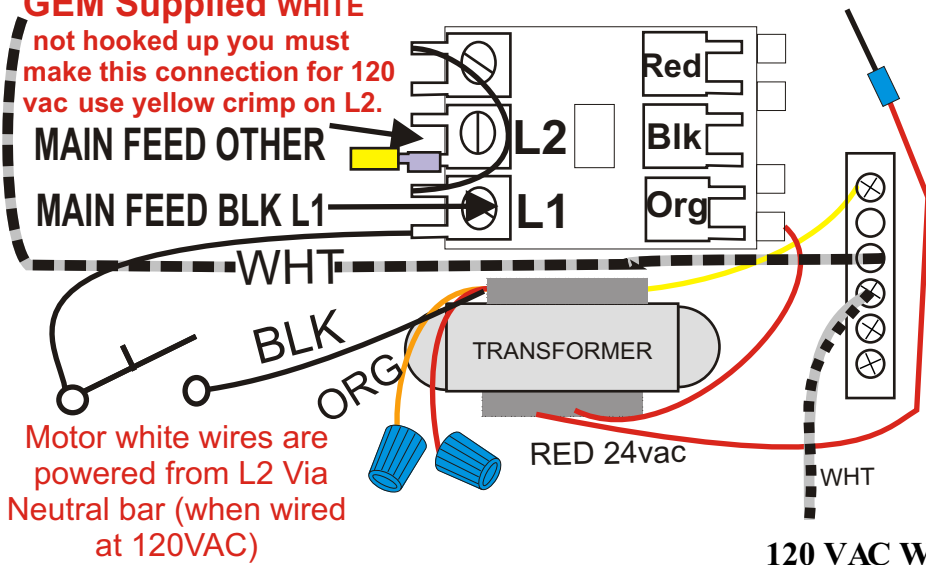


March 2010 to current top drawings

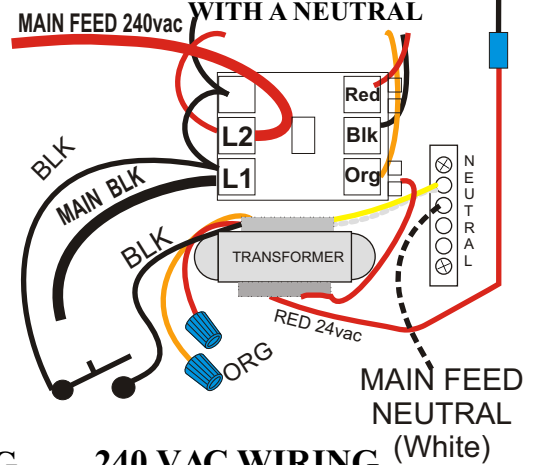
GEM Supplied WHITE
not hooked up you must
make this connection for 120
vac use yellow crimp on L2.

MAIN FEED OTHER
MAIN FEED BLK L1

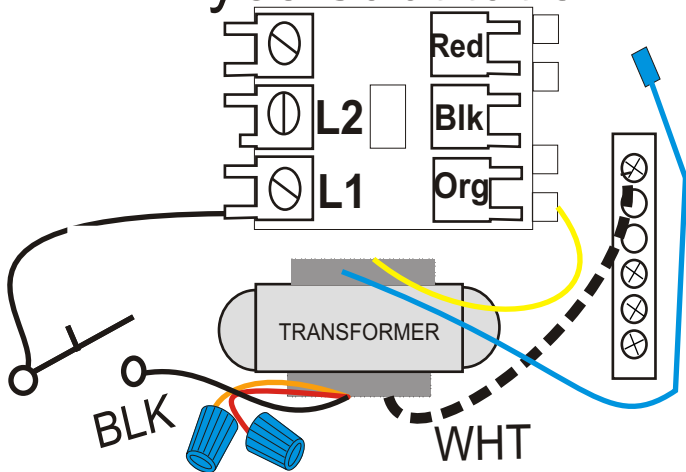


Motor white wires are
powered from L2 Via
Neutral bar (when wired
at 120VAC)

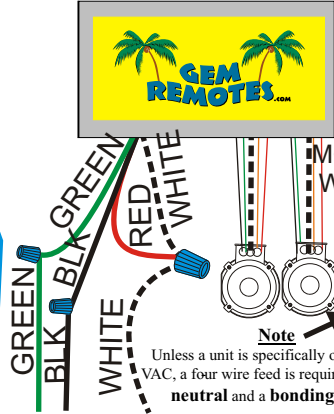
**240 VAC WIRING
WITH A NEUTRAL**



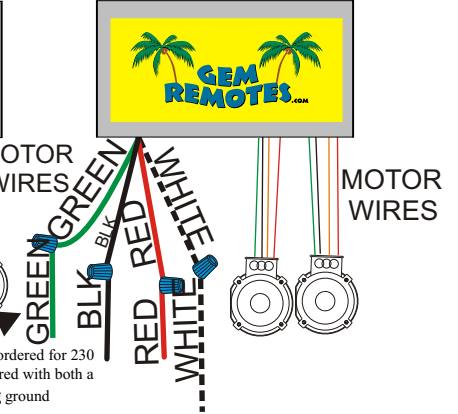
Tyco substitution



120 VAC WIRING



240 VAC WIRING

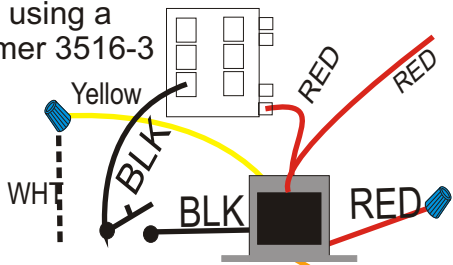


Note
Unless a unit is specifically ordered for 230
VAC, a four wire feed is required with both a
neutral and a bonding ground

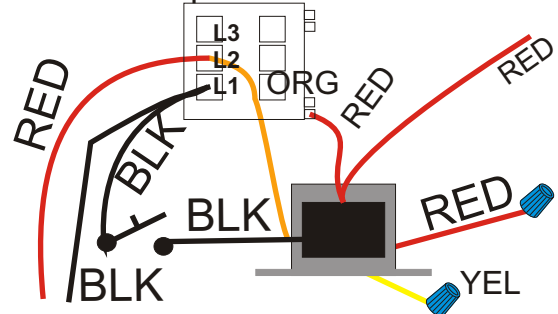
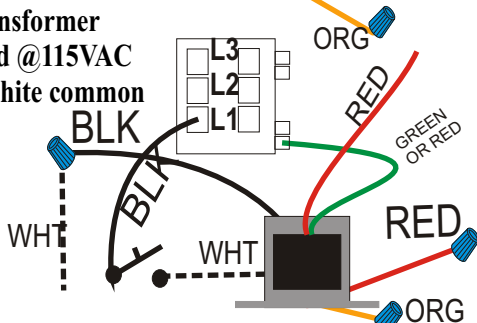
240 Volts only hook up using
only three wires(2+G) Not using
Neutral (White). You must rewire
the multi tap transformer C-3516-3 24 VAC Secondary

1985- Mar 2010

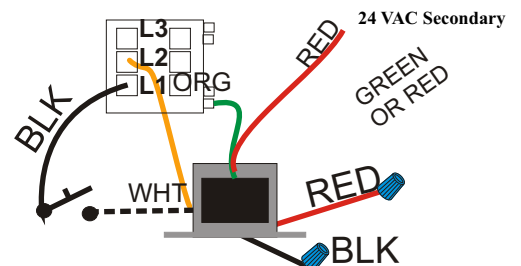
115 and 230 VAC wiring
with a neutral using a
New transformer 3516-3



24 VAC Old transformer
hooks up and wired @115VAC
C-3516 or C-3244 white common



24 VAC Old transformer hook up
wired @230 VAC and no neutral
C-3516 or C-3244 white common



Our unit needs a min. 20VA 28vac out put.
Radio Shack has a 120 to 24 vac #2731512
Ace Hardware door chime transformer 36485 120 to 24vac - 20va